



Terms and Conditions



Website

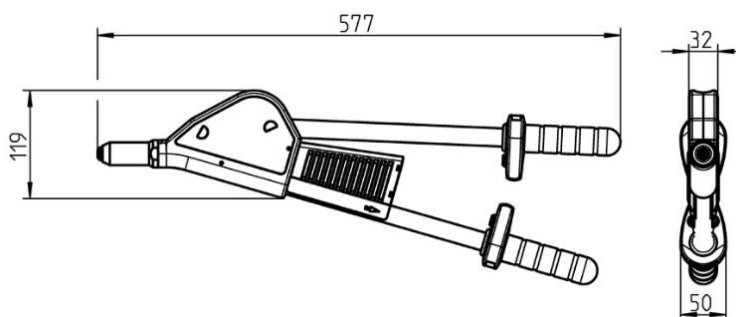
# GESIPA TOOL HN 2-BT

Gesipa Hand Rivet Tool | Product Code: GESIPA001.02



- Gesipa Hand Rivet Tool (HN 2-BT)
- Used in conjunction with gesipa bulbtite rivets, RV6605-9-6W (drill size 7.8-8.2mm, 27.7mm length, 1.0-9.5mm grip range)

**Technical Data**  
**Weight: 1.85Kg**  
**Stroke: 10mm**  
**Length: 577mm**



© 2018, SafetyLink Pty Ltd, Australia.

**Patents:** SafetyLink Pty Ltd has a multitude of patents, patents pending, design applications, trademarks and copyrighted documents both lodged and issued. Should you wish to know the progress of our intellectual property on a specific product please email us on [ip@safetylink.com](mailto:ip@safetylink.com) and quote the product code.

Doc ID: MKT-174 Version: 3.0

DATA SHEET