

# INSTALLATION HANDBOOK






# SURFACELINK

EXTRACT FROM

Installation of *SafetyLink* Anchor Points

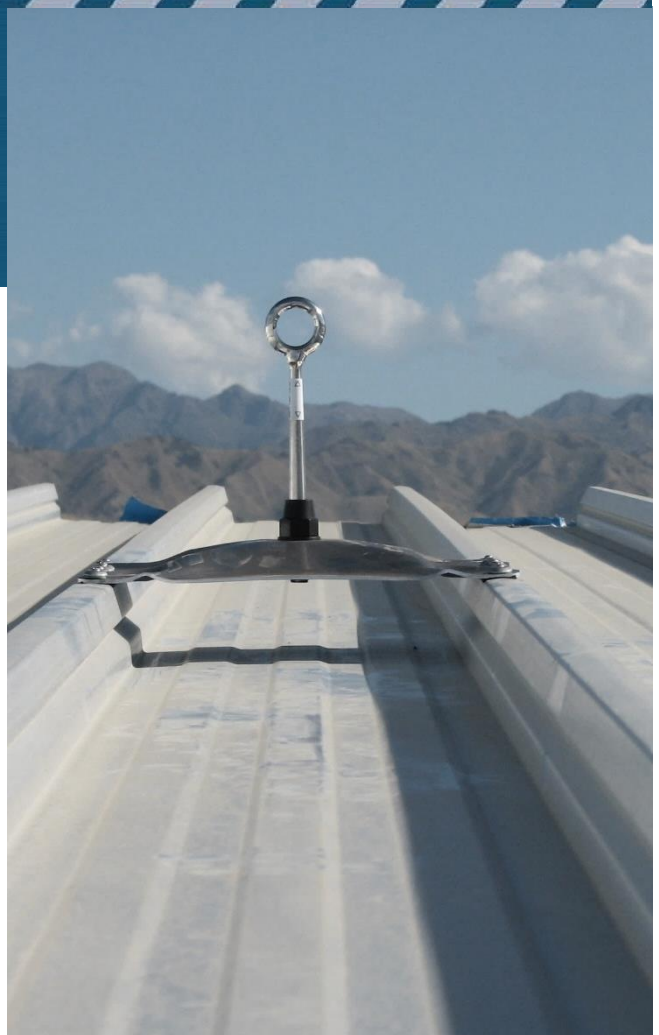
(Full Installation Guide available from website [www.safetylink.com](http://www.safetylink.com))

*SafetyLink* is an innovative anchor company achieving success and keeping you safe whilst working at heights.

-  ROOF ANCHORS
-  HORIZONTAL LIFELINES
-  PERMANENT LADDERS
-  LADDER STABILISERS
-  TEMPORARY ANCHOR



Read entire handbook before installing *SafetyLink* products. All products must be installed in accordance with *SafetyLink's* installation handbook, using only products supplied by *SafetyLink* Pty Ltd. Failure to follow all warnings and instructions may result in a serious injury or death.



**SafetyLink** Pty Ltd

**AU: 1300 789 545**

**INT: +61 2 4964 1068**

FAX: +61 2 4964 1069

[info@safetylink.com](mailto:info@safetylink.com)

**[www.safetylink.com](http://www.safetylink.com)**

# TABLE OF CONTENTS

---

## INSTALLATION OF SAFETYLINK SURFACELINK ANCHORS

<b>WARNINGS</b> .....	<b>3</b>
<b>MAINTENANCE – PERIODIC INSPECTIONS</b> .....	<b>4</b>
FIXED LADDERLINK: LADDER SUPPORT BRACKET .....	4
SAFETYLINK ANCHORAGES .....	4
<b>WARRANTIES</b> .....	<b>5</b>
<b>CLASSIC SURFACELINK ANCHOR</b> .....	<b>6</b>
INSPECT THE INTEGRITY OF THE STRUCTURE AND ROOF SHEETING .....	7
POSITIONING OF SURFACELINK ANCHOR POINT (REFER TO APPENDIX DIAGRAM 2).....	6
COMPONENTS .....	6
SETTING OUT .....	7
INSTALLATION TO THE SURFACE OF A ROOF - ASSEMBLING: STEPS 1 TO 5 .....	8
INSTALLING: STEPS 1 TO 3.....	9
<b>SURFACELINK ANCHOR STAINLESS STEEL – DOUBLE PLATES</b> .....	<b>10</b>
COMPONENTS .....	10
INSTALLATION: TO THE SURFACE OF A ROOF – DOUBLE PLATES.....	11
ASSEMBLING: STEPS 1 TO 5.....	11
ASSEMBLING: STEPS: 6 TO 7.....	12
INSTALLING: STEPS 1 TO 3.....	12
<b>APPENDIX – DIAGRAM 2 – ANCHOR POSITIONING LAYOUT</b> .....	<b>13</b>
<b>EXPERT FALL PROTECTION PLANNING</b> .....	<b>14</b>
<b>NOTES</b> .....	<b>15</b>
<b>IN CASE OF ACCIDENT</b> .....	<b>16</b>



Installation Guide



Catalogue



[www.safetylink.com](http://www.safetylink.com)  
Terms/Conditions/Warranties

# WARNINGS



## READ CAREFULLY SOMEONE'S LIFE DEPENDS ON IT

The building or structure for the anchorages should be assessed by an engineer, unless it is clear to a competent person that the anchorages system is structurally adequate.

**INSTALLATION MUST BE CARRIED OUT BY, OR UNDER THE SUPERVISION OF A COMPETENT PERSON.**

**STANDARD EYEBOLTS MUST ONLY BE USED AS A FALL ARREST ANCHOR.**

**ABSEILING EYEBOLTS ARE TO BE USED FOR ROPE ACCESS (ABSEILING).**

**SURFACE MOUNTED ANCHORS MUST NOT BE USED FOR ROPE ACCESS (ABSEILING).**

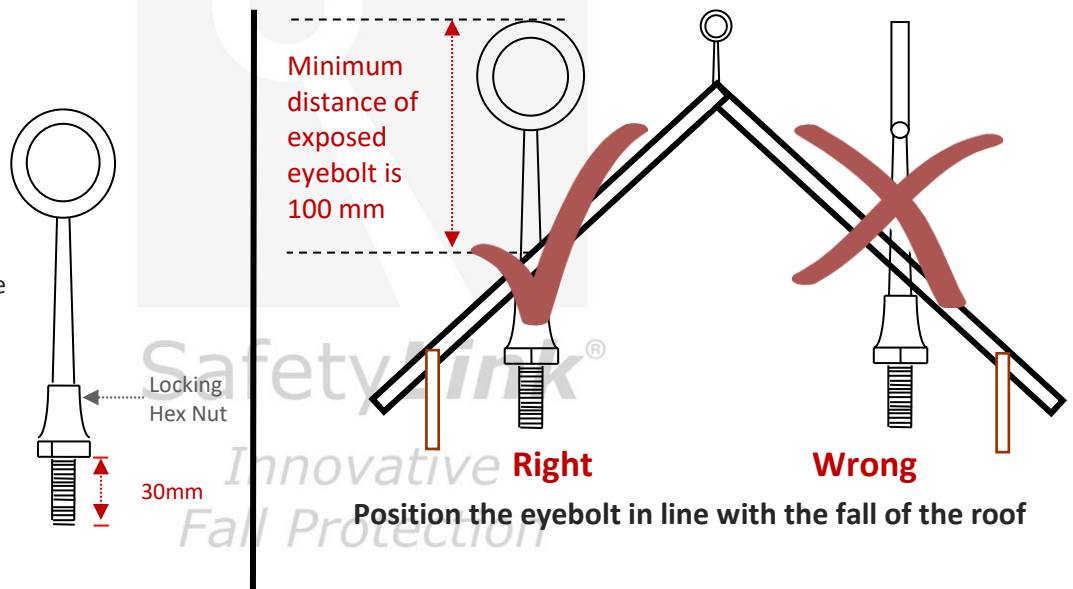
When installing anchor points all safety procedures must be complied with in accordance with the current safety code/s of practice/s for working at heights.

- Recommended waterproofing for roof tiles: *Sika Flex Co-Polymer Sealant*.
- Recommended waterproofing for metal roof: *Silicone Sealant*.
- All threads must be coated with Loctite prior to assembly. (IMPORTANT NOTE: Before applying Loctite 243 use Loctite 7471 primer to activate the surface according to manufacturer's instructions).
- A personal energy absorber or a fall-arrest device with a personal energy absorber must be used to connect to all SafetyLink Anchorages and (or) Strops.

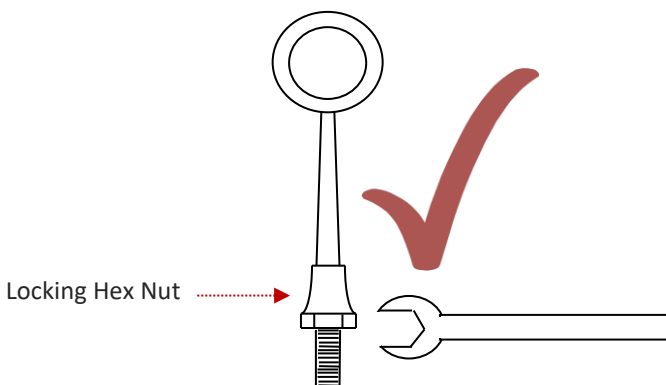
### **MAXIMUM USER PER EYEBOLT IS ONE (1).**

#### **WARNING**

Locking hex nut must be fully screwed up the thread of the eyebolt to expose 30mm of thread. This thread must be fully screwed into the bracket, coat threads with Loctite, (IMPORTANT NOTE: Before applying Loctite 243 use Loctite 7471 primer to activate the surface according to manufacturer's instructions). Locking hex nut must be firmly tightened onto the bracket to stop the eyebolt from unscrewing and to gain maximum strength.

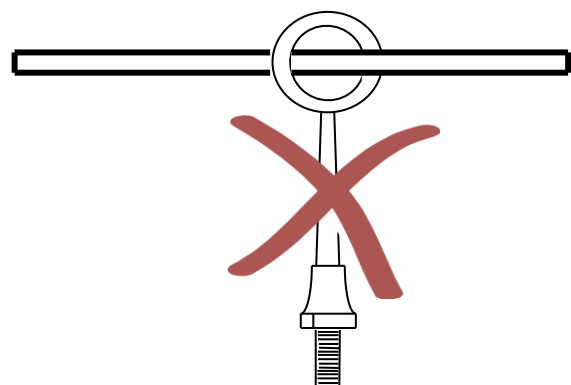


Threads need to have a minimum of **six full 360° turns** into the ultimate thread.



**Right**

Always use a spanner when tightening and un-tightening the locking hex nut.



**Wrong**

**DO NOT** place an object into the eye of the eyebolt to tighten or un-tighten the locking hex nut, as this may damage the eyebolt.



# MAINTENANCE – PERIODIC INSPECTIONS

---

All items of equipment which are in regular use shall be subjected to periodic inspection and servicing. These regular scheduled inspections and servicing must be carried out by a competent person.

## FIXED LADDERLINK: LADDER SUPPORT BRACKET

**ALL LADDERLINKS MUST BE INSPECTED EVERY 12 MONTHS, INSPECTIONS NEED TO BE CARRIED OUT BY A COMPETENT PERSON.**

Procedures to be followed at inspection time:

- Visually inspect ladder support brackets for any signs of deterioration or the protective coating being removed. (*Note: LadderLink is made from marine grade aluminium and therefore should not corrode*).
- Ensure LadderLink is firmly secured to the structure as per SafetyLink Installation Handbook. (*refer to Installing LadderLink in Handbook*).

## SAFETYLINK ANCHORAGES

**ALL ANCHORAGES MUST BE INSPECTED EVERY TWELVE MONTHS, INSPECTIONS NEED TO BE CARRIED OUT BY A COMPETENT PERSON.**

Procedures to be followed at inspection time:

- Visually inspect anchors for signs of deterioration.
- The FrogLink/TileLink anchor point has two energy absorbing regions and two stabilising joints which hold the eyelet in place during use. If these energy absorbing regions are expanded this will indicate the anchor point has arrested a fall. Similarly, if the two stabilising joints have been broken this would also indicate the FrogLink/TileLink has arrested a fall and should be replaced.
- Visually inspect the CableLink anchor point for signs that it has arrested a fall. The cable will have tightened around the rafter and the bottom fixing point will be pulled out and the anchor will need to be replaced.
- The eyebolt should remain straight, a bent eyebolt will indicate that the anchor point has arrested a fall (*The design features of the eyebolt includes the ability to bend like a fishing pole starting from the top and working its way to the bottom, enabling it to use up energy as the eyebolt bends whilst lessening the force on the person falling and the attachment point*).
- Visually inspect the components of the anchor for corrosion, superficial surface marking is permitted while deeper corrosion or pitting would require attention.
- Manually (by hand) check the eyebolt for rigidity and tightness, if the eyebolt can turn in the anticlockwise direction it will require attention.
- Visually inspect the rubber hat washer and waterproofing components to ensure it has remained sealed.
- Visually inspect the attachment component of the anchorage where practically possible.
- Visually inspect the parent structure for modifications or deterioration which might lead to loss of anchorage strength.
- Drilled in anchorages such as friction or glued-in anchorages (ConcreteLink, SandwichLink, SpacerLink) must be proof tested in accordance with AS/NZS 1891.4:2009 Clause 3.1.2(g) as part of each inspection.
- A personal energy absorber or a fall-arrest device with a personal energy absorber must be used in conjunction with all SafetyLink Anchorages and Lifeline systems.

**IN ADDITION TO SAFETYLINK PTY LTD EQUIPMENT, ALL ANCILLARY EQUIPMENT MUST BE INSPECTED IN ACCORDANCE WITH APPLICABLE REGULATORY REQUIREMENTS AND THE MANUFACTURER'S INSTRUCTIONS.**



**FOR MAINTENANCE ADVICE AND SERVICES PLEASE CONTACT SAFETYLINK  
ON +61 249 641068 OR 1300 789545 FOR YOUR NEAREST SAFETYLINK INSPECTION SERVICE  
CENTRE OR EMAIL: [info@safetylink.com](mailto:info@safetylink.com)**

# WARRANTIES

## EXTRACT: SafetyLink Pty Ltd STANDARD TERMS AND CONDITIONS

- 11.1 To the extent permitted by law all implied conditions, warranties and undertakings are expressly excluded.
- 11.2 Except as provided in this clause the Company shall not be liable for any loss or damage, whether direct or indirect (including consequential losses or damage) arising out of any breach of contract by the Company or any negligence of the Company, its employees or agents.
- 11.3 Should the Company be liable for a breach of a guarantee, condition or warranty implied by the Australian Consumer Law (not being a guarantee, condition or warranty implied by sections 51, 52 and 53 of that Law) then its liability for a breach of any such condition or warranty express or implied shall be limited, at its option, to any one or more of the following.
- A) in case of Goods
- (I) the replacement of the Goods or the supply of equivalent Goods.
  - (II) the repair of the goods,
  - (III) the payment of the cost of replacing the Goods or acquiring equivalent Goods.
  - (IV) The payment of the cost of having the Goods repaired.
- Provided that any such Goods are returned to the Company by the Purchaser at the Purchaser's expense.
- B) in the case of services
- (i) the supply of the services again,
  - (ii) the payment of the cost of having the services supplies again.
- 11.4 The Company will not liable for the costs of recovery of the Goods from the field, loss of use of the Goods, loss of time, inconvenience, incidental or consequential loss or damage, nor for any other loss or damage of her than as stated above, whether ordinary or exemplary, caused either directly or indirectly by use of the Goods.
- 11.5 The Company warrants that at the time of shipment, Products manufactured by it will be free from defects in material and workmanship. In the absence of a modified written warranty, the Company agrees to making good any such defects by repairing the same or at the Company's option by replacement, for a period of (1) one year from the date of shipment. This limited warranty applies provided that:
- (a) defects have arising solely from faulty materials or workmanship;
  - (b) the Products have not received maltreatment, inattention or interference;
  - (c) **the Products have been installed in accordance with the Company's Installation Handbooks using only products supplied by the Company;**
  - (d) accessories used with the Products are manufactured by or approved by the Company;
  - (e) the Products are maintained in accordance with Australian Standard 1891.4 (section 9).
  - (f) you notify any claim under this warranty to SafetyLink in writing to the address below no later than 14 days after the event or occurrence concerning the produce giving rise to the claim and you pay all costs related to your claim.

This warranty does not apply to any defects or other malfunctions caused to the Goods by accident, neglect, vandalism, misuse, alteration, modification or unusual physical, environment or electrical stress.

Please note that the benefits to the purchaser (as a consumer) given by this warranty are in addition to your other rights and remedies under the Australian Consumer Law. Our goods come with guarantees that cannot be excluded under the Australian Consumer Law. You are entitled to a replacement or refund for a major failure and compensation for any other reasonably foreseeable loss or damage. You are also entitled to have the goods repaired or replaced if the goods fail to be of acceptable quality and the failure does not amount to a major failure.

- 11.6 If any goods are not manufactured by the Company, the guarantee of the manufacturer thereof shall be accepted by the Purchaser as the only express warranty given in respect of the goods.
- 11.7 Except as provided in this clause 11, all express and implied warranties, guarantees and conditions under statute or general law as the merchantability, description, quality, suitability or fitness of the Products for any purpose or as to design, assembly, installation, materials or workmanship or otherwise are hereby expressly excluded (to the extent to which they may be excluded by law).

**PLEASE SEE SAFETYLINK PTY LTD FULL STANDARD TERMS OF CONDITIONS OF SALE FOR FURTHER REFERENCE.**

# CLASSIC SURFACELINK ANCHOR

Product Code: ASURF001

All safety procedures must be complied with in accordance with the current safety code(s) of practice(s) for working at heights. Ensure safety at all times during and after installation by using an appropriate height safety protection system.

**⚠ SURFACE MOUNTED ANCHORS MUST NOT BE USED FOR ROPE ACCESS (ABSEILING).**

## POSITIONING OF SURFACELINK ANCHOR POINT (refer to Appendix Diagram 2)

- The first SurfaceLink must be in a position easily and safely reached from a safe access point. Access to underside of roof is not required for installation.
- It is recommended the SurfaceLink be installed to the top/high section of the roof sheeting profile aligned with the fall of the roof, where this is not practical the SurfaceLink may be installed into the low/pan section, be sure not to create an area where leaves and debris can collect.
- Ensure SurfaceLink is installed between a minimum of two purlins/battens, with the roof sheeting being installed/secured down as per manufacturers recommendations.
- SurfaceLink Anchors must be positioned a **MINIMUM OF 2 METRES** from the edge on clip down/standing seam style roofs.

## BROWNBUILT / KLIPOK ROOF PROFILES

On clip down style roofs (such as Brownbuilt/Kliplok), surface mounted anchors must not be installed any closer than two (2) metres from an edge unless additional securing of roof sheeting is made.

Additional securing can be made to roof sheets with 12 gauge roofing screws through the roof sheeting into the purlin/batten, **four (4) above** or **four (4) below** the anchor, on the side of the anchor that falls under two metres from an edge. This secures the roof sheeting in place to the purlins/battens to prevent horizontal movement in the event of a fall. **Note: screws may be required on both sides of the anchor depending on the individual situation.**

## COMPONENTS

1 x Stainless Steel Eyebolt

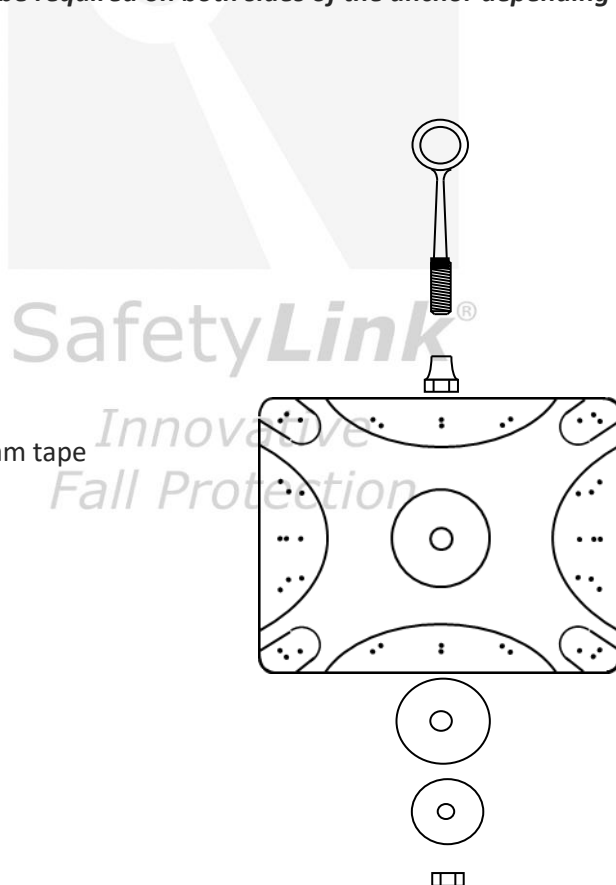
1 x Locking Hex Nut

1 x Classic SurfaceLink Plate with foam tape

1 x 70mm Plastic Washer

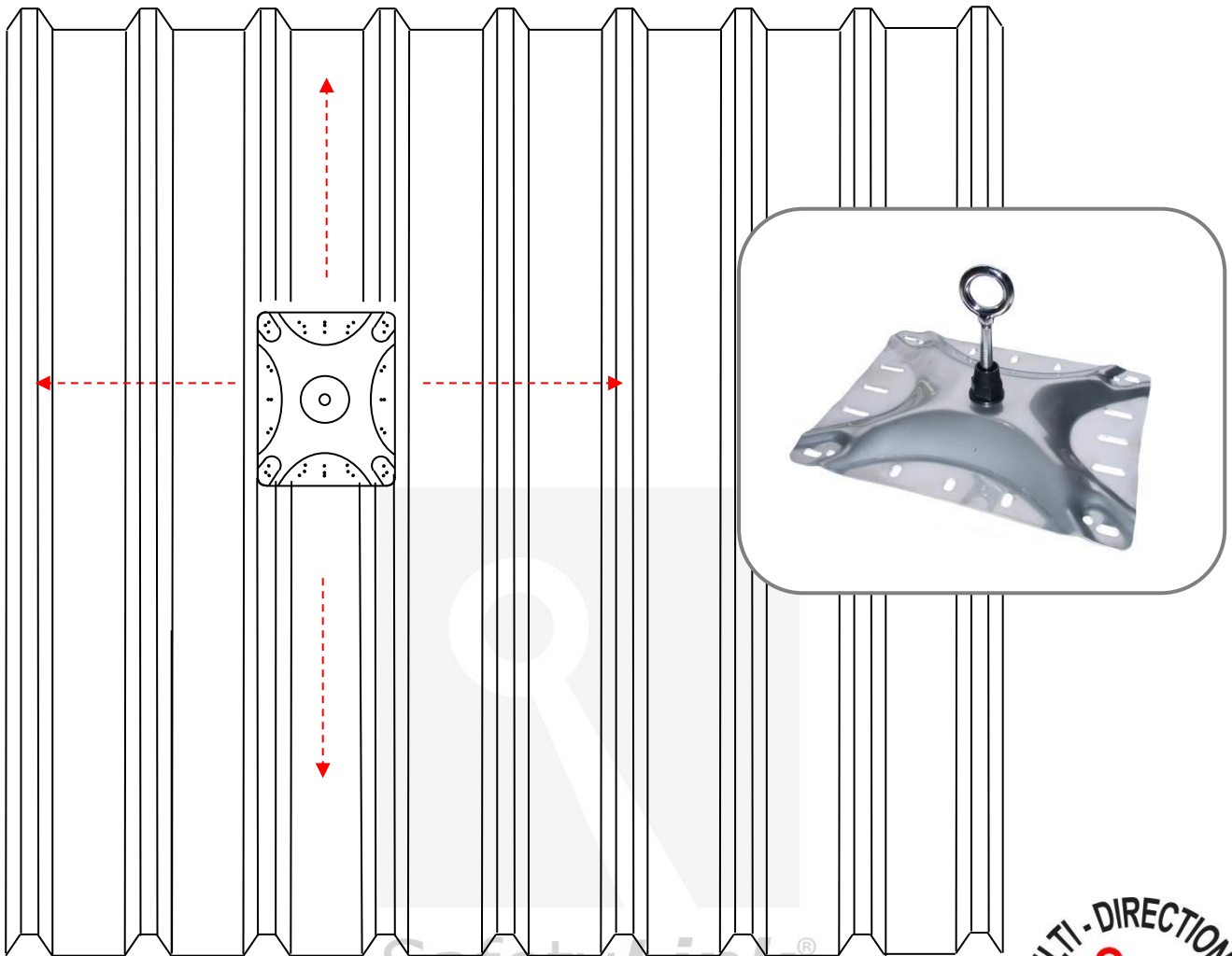
1 x 50mm Stainless Steel Washer

1 x Stainless Steel 16mm Nut





## SETTING OUT



## INSPECT THE INTEGRITY OF THE STRUCTURE AND ROOF SHEETING

- Installation of anchors can only be made to roof sheeting strong enough to support the anchor point.
- **MINIMUM** roof sheet gauge is **0.42mm** for steel and **0.7mm** for aluminium.
- Roof sheets must be inspected thoroughly for splits, rust, corrosion damage and correct installation.
- Ensure the roof sheeting and structure is secured in accordance with current building codes and manufactures instructions.

- ⚠ **IF ANY DOUBT EXISTS WITH THE STRENGTH OF THE STRUCTURE OR ROOF SHEETS AN ENGINEER SHOULD MAKE THE ASSESSMENT.**
- ⚠ **INSTALLATION MUST BE CARRIED OUT BY, OR UNDER THE SUPERVISION OF A COMPETENT PERSON.**
- ⚠ **DURING INSTALLATION YOU MUST BE SAFE AT ALL TIMES.**

### **Live Load on Anchors:**

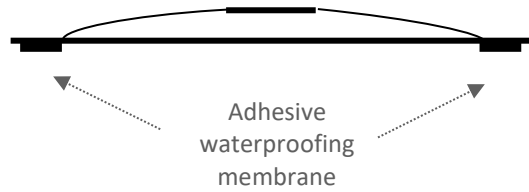
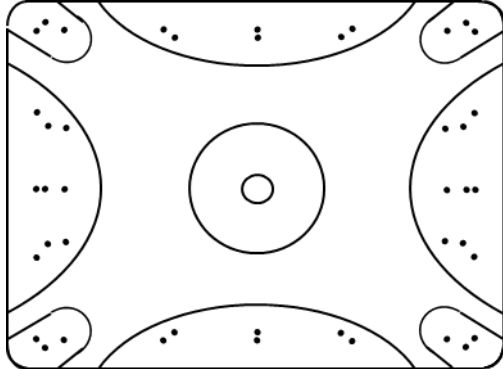
The surface mounted anchor is best suited to roof pitches up to 30 degrees. For over 30 degrees surface mounted anchors should be used in conjunction with other access methods to ensure no live loading. Note: these anchors are not abseil anchors and therefore if they are subjected to a live load this may trigger the energy absorbing regions.

**WARNING: SURFACE MOUNTED ANCHORS SHOULD BE POSITIONED A MINIMUM OF 2 METRES FROM THE EDGE ON KLIPOK ROOFS.**

## INSTALLATION TO THE SURFACE OF A ROOF - ASSEMBLING: Steps 1 to 5

### STEP 1

Apply adhesive waterproofing membrane under rivet location.



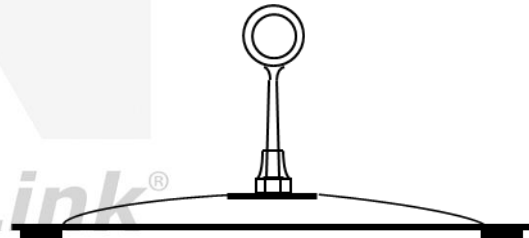
### STEP 2

Screw locking hex nut into eyebolt leaving 30mm of thread, coat threads with Loctite (IMPORTANT NOTE: Before applying Loctite 243 use Loctite 7471 primer to activate the surface according to manufacturer's instructions).



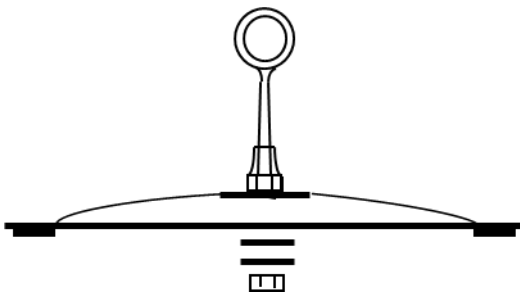
### STEP 3

Insert eyebolt through Classic SurfaceLink Plate.



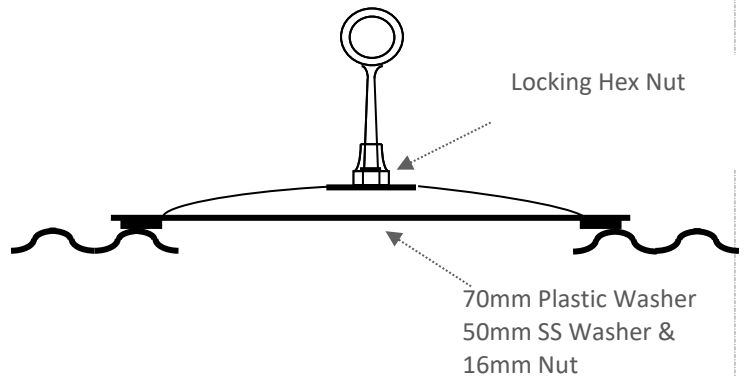
### STEP 4

Apply a 70mm plastic washer, 50mm SS washer and nut to underside of the surface plate, tighten nut finger tight (coat threads with Loctite).



### STEP 5

Tighten nut and Locking Hex Nut making certain eyebolt lines up with fall of roof.



Threads need to have a minimum of **six full 360° turns** into the ultimate thread.



## INSTALLING: Steps 1 to 3

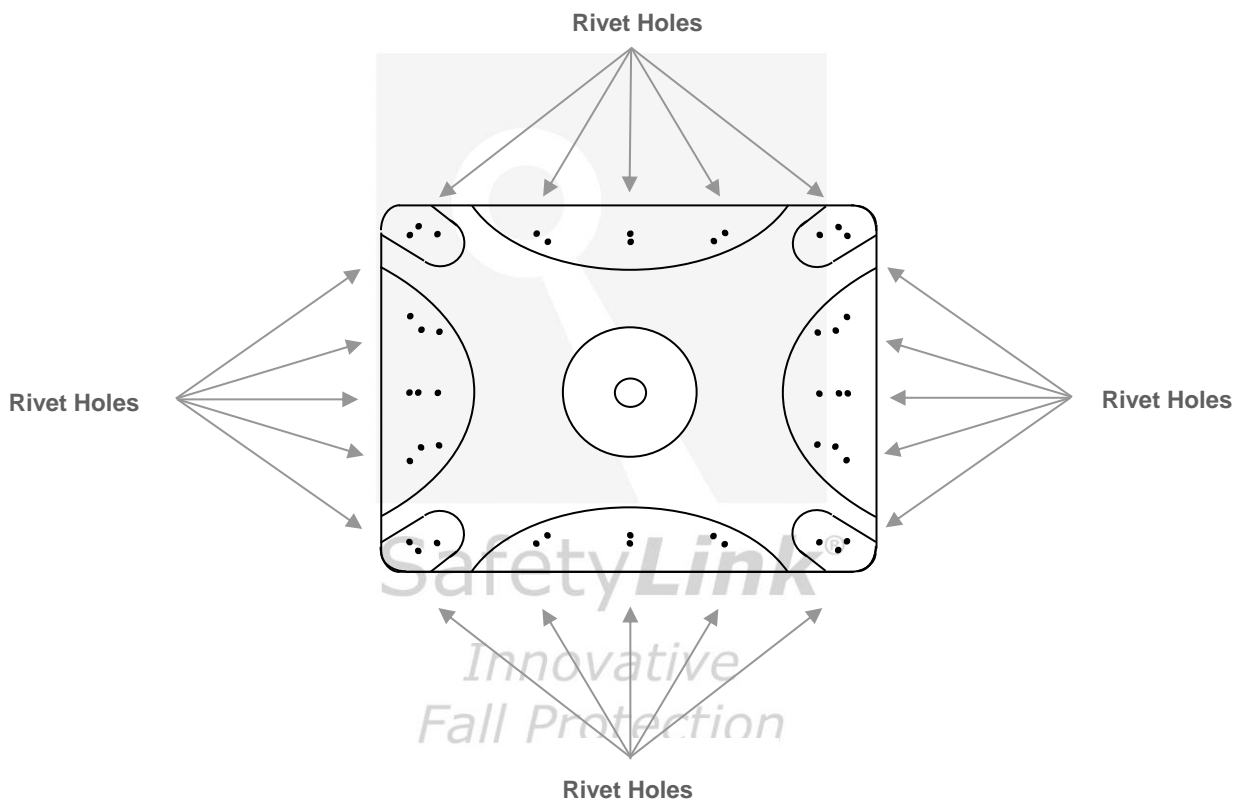
**WARNING: SURFACE MOUNTED ANCHORS SHOULD BE POSITIONED A MINIMUM OF 2 METRES FROM THE EDGE ON KLIPOK ROOFS.**

1. Place SurfaceLink on surface of roof sheets in required location.
2. Drill Ten (10) 8mm holes into roof sheets through locating holes on both sides of the SurfaceLink (5 each side).
3. Secure the SurfaceLink to the roof by riveting through holes in surface mounted anchor and roof sheet using Gesipa Bulbtite Rivets, RV6605-9-6W (Drill Size 7.8-8.2mm, 27.7mm length, 1.0-9.5mm grip range, Aluminium).

**⚠ IF ANY DOUBT EXISTS WITH THE STRENGTH OF THE STRUCTURE OR ROOF SHEETS AN ENGINEER SHOULD MAKE THE ASSESSMENT.**

**⚠ INSTALLATION MUST BE CARRIED OUT BY, OR UNDER THE SUPERVISION OF A COMPETENT PERSON.**

**⚠ DURING INSTALLATION YOU MUST BE SAFE AT ALL TIMES.**



The SafetyLink Anchor Point is now ready for use, giving you an anchor point to attach to while installing the next SafetyLink.



# SURFACELINK ANCHOR STAINLESS STEEL – DOUBLE PLATES

Product Code: SURFL001

All safety procedures must be complied with in accordance with the current safety code(s) of practice(s) for working at heights. Ensure safety at all times during and after installation by using an appropriate height safety protection system.

**⚠ SURFACE MOUNTED ANCHORS MUST NOT BE USED FOR ROPE ACCESS (ABSEILING).**

## INSPECT THE INTEGRITY OF THE STRUCTURE AND ROOF SHEETING

- Installation of anchors can only be made to roof sheeting strong enough to support the anchor point.
- **MINIMUM** roof sheet gauge is **0.42mm** for steel and **0.7mm** for aluminium.
- Roof sheets must be inspected thoroughly for splits, rust, corrosion damage and correct installation.
- Ensure the roof sheeting and structure is secured in accordance with current building codes and manufactures instructions.

## POSITIONING OF SURFACELINK ANCHOR POINT (refer to Appendix Diagram 2)

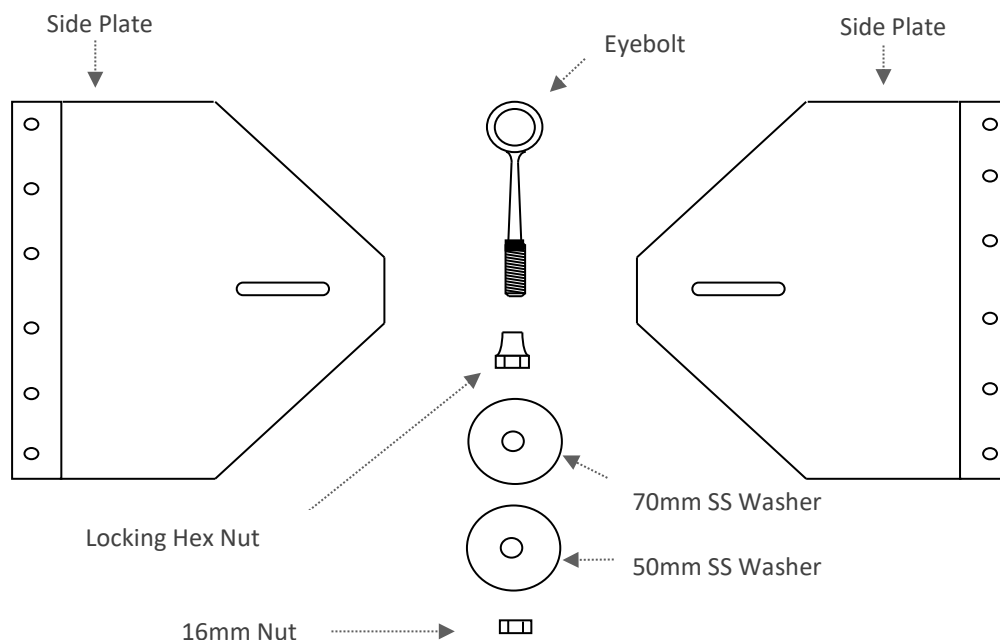
- The first SurfaceLink must be in a position easily and safely reached from a safe access point. Access to underside of roof is not required for installation.
- It is recommended the SurfaceLink be installed to the top/high section of the roof sheeting profile aligned with the fall of the roof, where this is not practical the SurfaceLink may be installed into the low/pan section, be sure not to create an area where leaves and debris can collect.
- Ensure SurfaceLink is installed between a minimum of two purlins/battens, with the roof sheeting being installed/secured down as per manufacturers recommendations.
- SurfaceLink Anchors must be positioned a **MINIMUM OF 2 METRES** from the edge on clip down/standing seam style roofs.

### **Live Load on Anchors:**

The Surface Mounted anchor is best suited to roof pitches up to 30 degrees. For over 30 degrees Surface Mounted anchors should be used in conjunction with other access methods to ensure no live loading. Note: These anchors are not abseil anchors and therefore if they are subjected to a live load this may trigger the energy absorbing regions.

## COMPONENTS

- 1 x Stainless Steel Eyebolt with Locking Hex Nut
- 1 x 70mm Stainless Steel Washer
- 2 x Stainless Steel Side Plates with foam tape
- 1 x 50mm Stainless Steel Washer
- 1 x Stainless Steel 16mm Nut



# SURFACELINK ANCHOR STAINLESS STEEL – DOUBLE PLATES

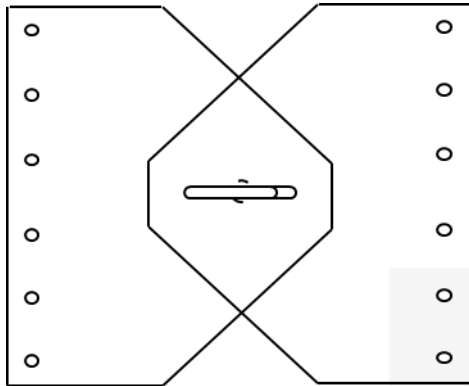
Product Code: SURFL001

## INSTALLATION: TO THE SURFACE OF A ROOF – Double Plates

### Assembling: Steps 1 to 5

#### STEP 1

Overlap side plates, aligning slots for Eyebolt.



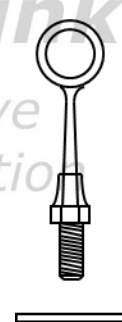
#### STEP 2

Screw locking hex nut into eyebolt leaving 30mm of thread, coat threads with Loctite (IMPORTANT NOTE: Before applying Loctite 243 use Loctite 7471 primer to activate the surface according to manufacturer's instructions).



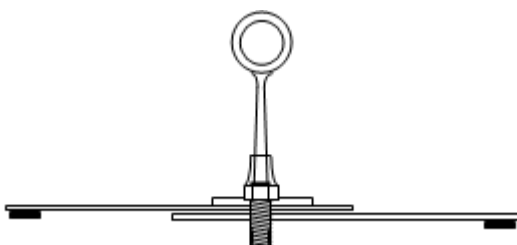
#### STEP 3

Add 70mm stainless steel washer to eyebolt thread.



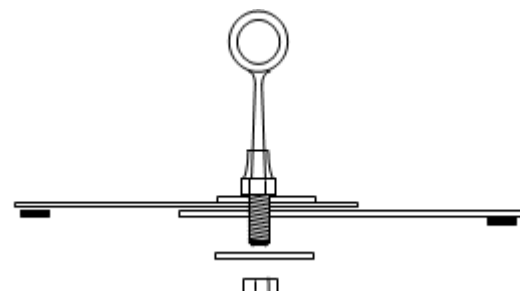
#### STEP 4

Insert eyebolt through side plates.



#### STEP 5

Apply 50mm stainless steel washer and nut, tighten nut finger tight (coat threads with Loctite).



Assembling continued over.....

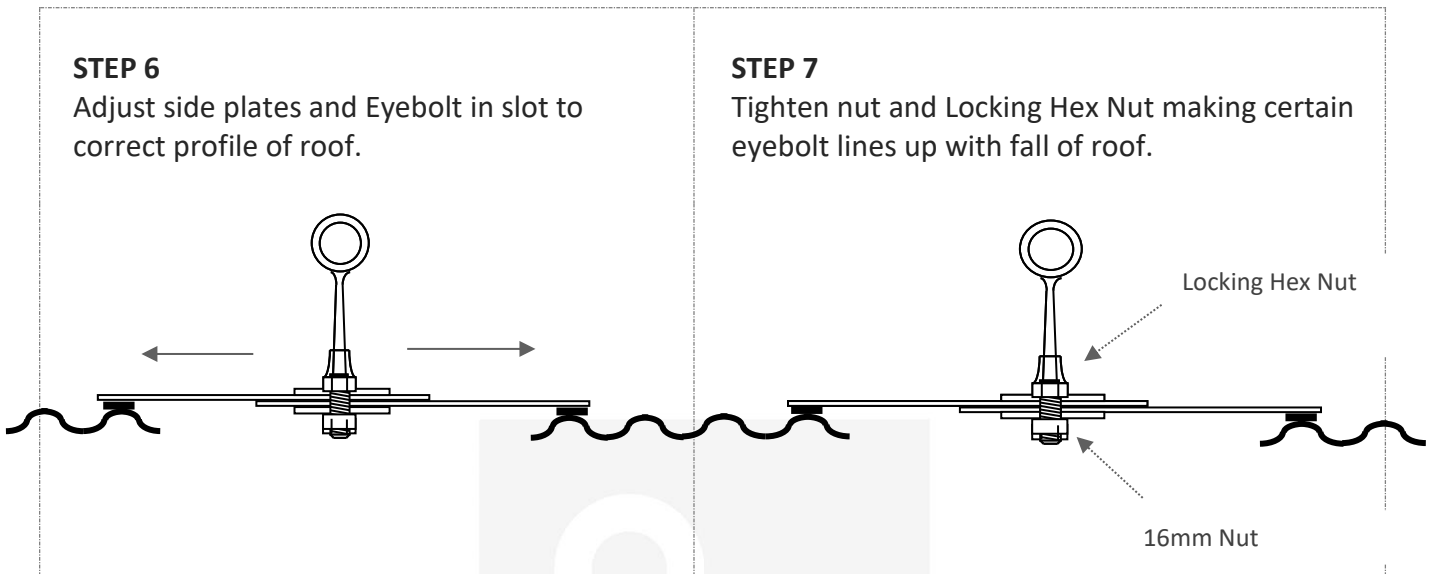


# SURFACELINK ANCHOR STAINLESS STEEL – DOUBLE PLATES

Product Code: SURFL001

## INSTALLATION: TO THE SURFACE OF A ROOF – Double Plates

### Assembling: Steps: 6 to 7



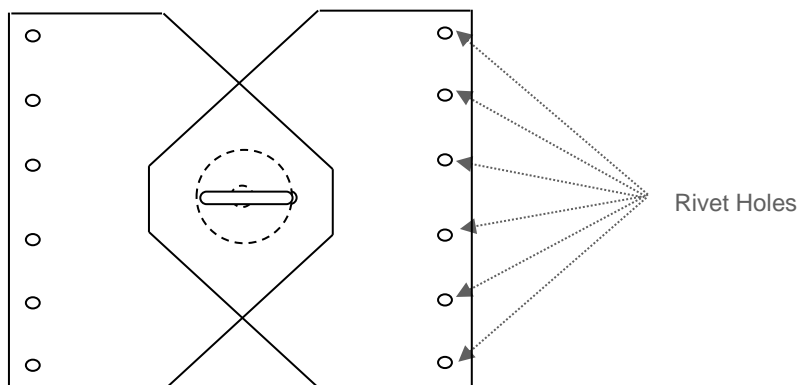
Threads need to have a minimum of **six full 360° turns** into the ultimate thread.

### INSTALLING: Steps 1 to 3

**WARNING: SURFACE MOUNTED ANCHORS SHOULD BE POSITIONED A MINIMUM OF 2 METRES FROM THE EDGE ON KLIPLOK ROOFS.**

1. Place SurfaceLink Anchor on surface of roof sheets in required location.
2. Drill twelve 12 x 8mm holes into roof sheets through rivet holes on both sides of the SurfaceLink Anchor.
3. Secure the SurfaceLink Anchor to the roof by riveting through anchor and roof sheet using 8mm Gesipa rivets.

- ⚠ **IF ANY DOUBT EXISTS WITH THE STRENGTH OF THE STRUCTURE OR ROOF SHEETS AN ENGINEER SHOULD MAKE THE ASSESSMENT.**
- ⚠ **INSTALLATION MUST BE CARRIED OUT BY, OR UNDER THE SUPERVISION OF A COMPETENT PERSON.**
- ⚠ **DURING INSTALLATION YOU MUST BE SAFE AT ALL TIMES.**



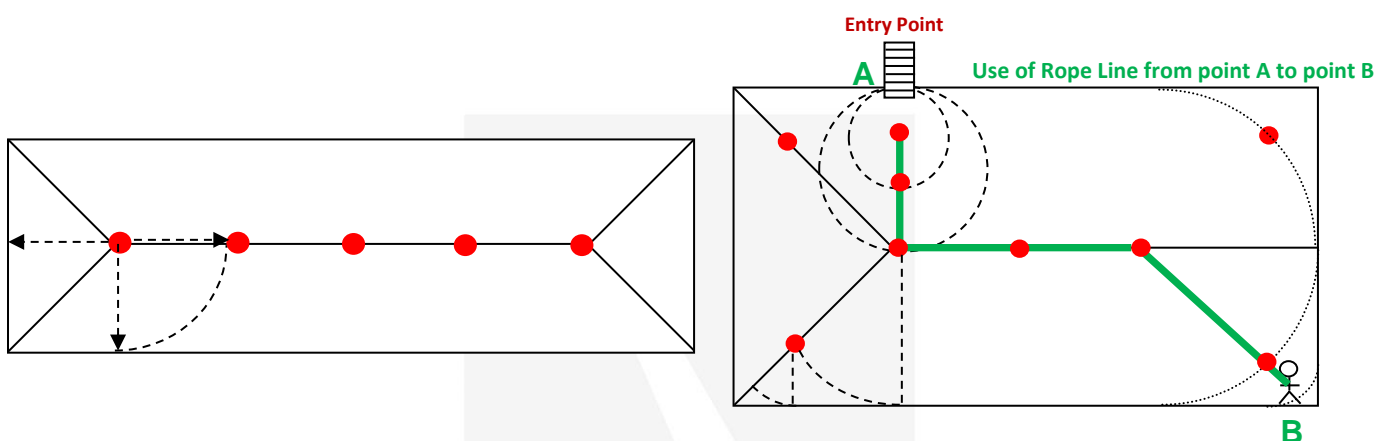
### THIS IS A GUIDE ONLY

All working at heights safety procedures must be complied with when installing SafetyLink anchor points. For more information refer to your state or territories current legislation, regulations, policies and codes of practices.

- ⚠ IF ANY DOUBT EXISTS WITH THE STRENGTH OF THE STRUCTURE OR ROOF SHEETS AN ENGINEER SHOULD MAKE THE ASSESSMENT.**
- ⚠ DURING INSTALLATION YOU MUST BE SAFE AT ALL TIMES.**
- ⚠ INSTALLATION MUST BE CARRIED OUT BY, OR UNDER THE SUPERVISION OF A COMPETENT PERSON.**

#### ACCESS, LAYOUT AND USE OF A SAFETYLINK ANCHOR SYSTEM

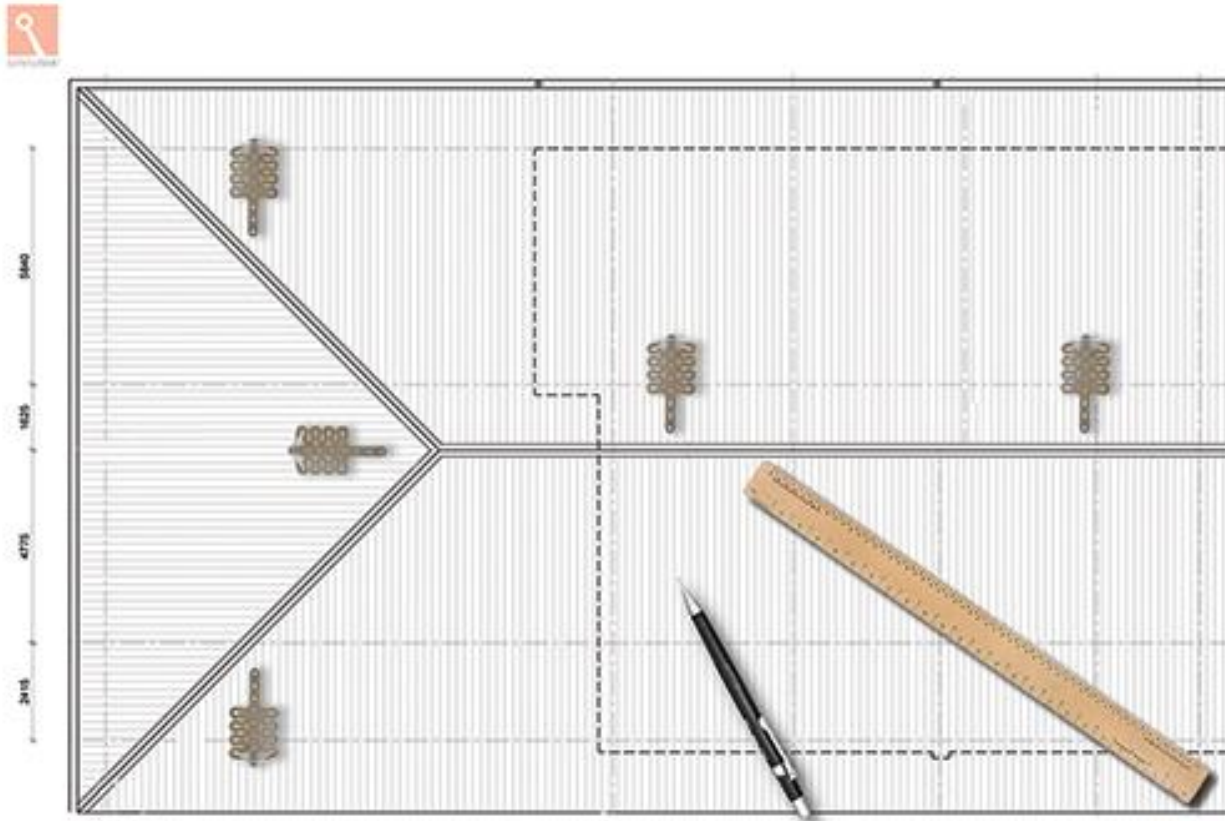
SafetyLink anchor points are positioned by calculating the pendulum effect, this limits the likelihood of a fall past the edge of the roof space. The pendulum effect still applies to a flat roof.



**SPACING MUST BE NO GREATER THAN THE RAFTER LENGTH, PLEASE CONTACT YOUR DISTRIBUTOR IF YOU ARE UNSURE.**

**SafetyLink**<sup>®</sup>  
*Innovative  
Fall Protection*

**SAFETYLINK HEIGHT SAFETY SYSTEMS MUST ONLY BE INSTALLED AS PER OUR INSTALLATION GUIDES, TO STRUCTURES AS SPECIFIED IN THE INSTALLATION MANUAL FOR EACH PRODUCT. SHOULD ANY DOUBT EXIST IN REGARDS TO THE STRUCTURES INTEGRITY AN ENGINEER SHOULD BE CONSULTED.**



SafetyLink's design and planning team are here to help work out the positioning of your fall protection system, ensuring all areas of your roof are accessed safely.

Things to consider when planning your roof layout:

- ❑ Are all areas of your roof protected, allowing complete access when working at heights?
- ❑ Are you protected from the ground up, allowing complete access to your roof?
- ❑ Detailed comprehensive documentation provided e.g. installation guides, testing results, product sheets should be provided.
- ❑ SafetyLink can also provide you with a qualified and reputable installer of SafetyLink products.

Contact our design team at [info@safetylink.com](mailto:info@safetylink.com) and we can plan your fall arrest system for you.





**SafetyLink<sup>®</sup>**

*Innovative  
Fall Protection*

# IN CASE OF ACCIDENT

---

**⚠️ A FALL RESCUE PLAN AND SAFE WORK STATEMENT MUST BE DEVELOPED PRIOR TO USING SAFETYLINK SYSTEMS AND EQUIPMENT.**

**⚠️ PERSONS WORKING AT HEIGHTS SHOULD NOT WORK ALONE.**

It is critical that before using any SafetyLink Systems a fall rescue plan is in place for any persons suspended mid-air following a fall. Serious injury or death can occur in a matter of minutes, particularly if a person's movement or breathing is restricted or loss of consciousness has occurred. In accordance with your fall rescue plan and appropriate first aid procedures it is essential to remove the person from the suspended position as quickly as possible.

## **IN ACCORDANCE WITH AS/NZS 1891.4:2009 CLAUSE 9.5**

### **EQUIPMENT WHICH HAS ARRESTED A FALL OR SHOWS A DEFECT**

Any piece of equipment including both personal and permanently installed items, which has been used to arrest a fall or which shows any defect during operator or periodic inspection shall be withdrawn from service immediately and a replacement obtained if necessary. A label indicating the condition or defect should be attached to the equipment, and it should be examined by a competent person who will decide whether the equipment is to be destroyed or repaired if necessary and returned to service. In the latter case, details of any repair shall be documented, and a copy given to the operator.



**SafetyLink®**  
*Innovative  
Fall Protection*



**Terms/Conditions/Warranties**

### **DISTRIBUTOR:**

**SafetyLink Pty Ltd | ABN 83 081 777 371**

**Phone: 1300 789 545 or +61 2 4964 1068 | Fax: 1300 738 071 or +61 2 49641069**

**info@safetylink.com | www.safetylink.com**