

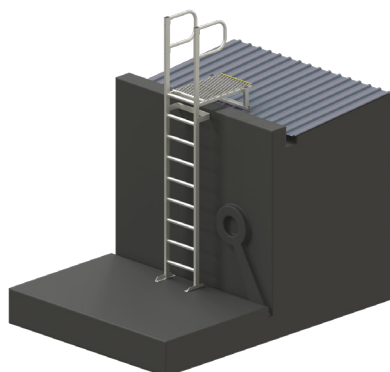
- FastFit ladder system is designed for single person use and rated for maximum 150kg.
- FastFit ladders are manufactured to AS 1657:2018 Standards.

90 DEGREE LADDER WITH TOP PLATFORM & HANDRAILS

FLAT SURFACE TO ROOF SHEETING		LADERK002.101	LADERK002.102	LADERK002.103
Product Code	Description	1080mm	2280mm	3480mm
LADER002.LHD	Ladder Head: 2400mm (5 Rung 1324mm)	1	1	1
LADER002.SEC.4	Ladder Section: 1200mm (4 rung)	0	1	0
LADER002.SEC.8	Ladder Section: 2400mm (8 rung)	0	0	1
LADER002.SPL.K	Kit: 2 x Splice Joint 600mm and 8 Screws	0	1	1
LADER002.BASE.ANGLE_2x350	Ladder Base Support Angle: 2x350mm	1	1	1
LADER002.BRK250	Ladder Fixing Bracket: 250mm	1	1	2
LADER002.HR.90.K	Handrail Set: 90 degrees (2 arms)	1	1	1
LADER002.PLT.TOP	Platform: Top (Required if exit area not level)	1	1	1
LADER002.CAP.K	Ladder Stile Cap Set	1	1	1
LADER002.SIGN	FastFit Entry Compliance Sign	1	1	1
ADDITIONAL COMPONENTS NOT INCLUDED IN ABOVE				
FLAT SURFACE TO ROOF SHEETING WITH EXTENSION FOOT KIT		LADER002.101 + FOOT KIT	LADER002.102 + FOOT KIT	LADER002.103 + FOOT KIT
		1380mm	2580mm	3780mm
LADER002.FOOT.90.K	Kit: 2 x Ladder Foot: 90 degrees with 4 Screws	1	1	1
ROOF SHEETING TO ROOF SHEETING (Platform installed in front of ladder)		LADER002.101 + BASE	LADER002.102 + BASE	LADER002.103 + BASE
		1200mm	2400mm	3600mm
LADER002.PLT.BASE	Platform: Adjustable Base (Required if entry area not level)	1	1	1
ROOF SHEETING TO ROOF SHEETING (Ladder installed on top of platform)		LADER002.101 + FOOTING	LADER002.102 + FOOTING	LADER002.103 + FOOTING
		1150mm	2350mm	3550mm
LADER002.PLT.FOOT	Platform: Footing Landing (Required if entry area not level)	1	1	1
FLAT SURFACE TO ROOF SHEETING WITH LOCKABLE DOOR		LADER002.101 + DOOR	LADER002.102 + DOOR	LADER002.103 + DOOR
LADER002.DOOR	Ladder Access Lockable Door Kit	1	1	1

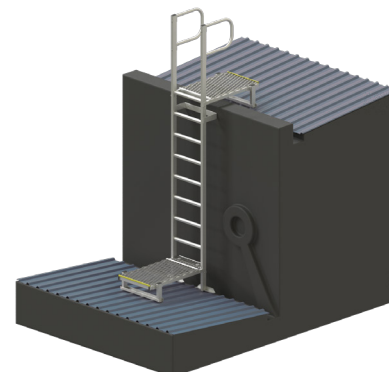
FLAT SURFACE TO ROOF SHEETING

Below Drawing: LADERK002.102



ROOF SHEETING TO ROOF SHEETING

Below Drawing: LADERK002.102+BASE



© 2018, SafetyLink Pty Ltd, Australia.

Patents: SafetyLink Pty Ltd has a multitude of patents, patents pending, design applications, trademarks and copyrighted documents both lodged and issued. Should you wish to know the progress of our intellectual property on a specific product please email us on ip@safetylink.com and quote the product code.

enjoy safety.

Install Handbook



SCAN ME

Training



SCAN ME

Website



SCAN ME

Catalogue



SCAN ME