

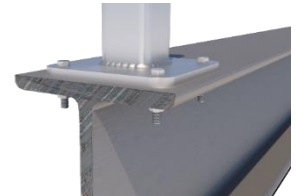
CLASSIC TUFF-POST

Steel Mounted TUFF-POST (Square) with Retro Eyebolt



- TUFF-POST is designed to raise the height of a height safety system using either a 300mm or 600mm TUFF-POST.
- TUFF-POST is a sealed unit made entirely from stainless steel, designed to be submerged into garden beds, water and other mediums.
- Designed to be **bolted to steel** (concrete anchored version available).

The building or structure for the anchorages must be assessed by an engineer, unless it is clear to a competent height safety installer that the structure is adequate. Refer to system information for site specific use.



COMPLETE UNIT - PRODUCT CODE: TUFF-POST300S-RET

Product Parts	Description	Qty	Material
EYEBOLT-RETRO	Retro Eyebolt with M20 Washer & O-Ring	1	316 Stainless Steel
RETRO-WASHER	Retro Washer with Rubber	1	316 Stainless Steel
TUFF-POST300	TUFF-POST 300mm	1	316 Stainless Steel
BOLT-M12x50mm-SS	Bolt: M12x50mm Set Screw	4	316 Stainless Steel
WASHER M12	Washer: M12	4	316 Stainless Steel
SPRING WASHER M12	Spring Washer: M12	4	316 Stainless Steel
NUT M12_316	Nut: M12	4	316 Stainless Steel

COMPLETE UNIT - PRODUCT CODE: TUFF-POST600S-RET

Product Parts	Description	Qty	Material
EYEBOLT-RETRO	Retro Eyebolt with M20 Washer & O-Ring	1	316 Stainless Steel
RETRO-WASHER	Retro Washer with Rubber	1	316 Stainless Steel
TUFF-POST600	TUFF-POST 600mm	1	316 Stainless Steel
BOLT-M16x50mm-SS	Bolt: M16x50mm Set Screw	4	316 Stainless Steel
WASHER M16	Washer: M16	4	316 Stainless Steel
SPRING WASHER M16	Spring Washer: M16	4	316 Stainless Steel
NUT M16_316	Nut: M16 316	4	316 Stainless Steel

All products must be installed in accordance with SafetyLink's installation handbook, using only products supplied by SafetyLink Pty Ltd.



© 2018, SafetyLink Pty Ltd, Australia.

Patents: SafetyLink Pty Ltd has a multitude of patents, patents pending, design applications, trademarks and copyrighted documents both lodged and issued. Should you wish to know the progress of our intellectual property on a specific product please email us on ip@safetylink.com and quote the product code.

Doc ID: MKT-412 Version: 14.0

Asia-Pacific/The Americas
info@safetylink.com

Europe/Africa/Middle East
europe.sales@safetylink.com

Northern Europe
uk.sales@safetylink.com



SCAN ME

www.safetylink.com



SCAN ME

Catalogue



SCAN ME

Anchor Layout Video



SCAN ME

Safety Centre
Training

DATA SHEET



ISO 9001
Quality
Management
Systems
CERTIFIED

FS 707792



SCAN ME

www.safetylink.com



SCAN ME

Catalogue



SCAN ME

Anchor Layout Video



SCAN ME

Safety Centre
Training

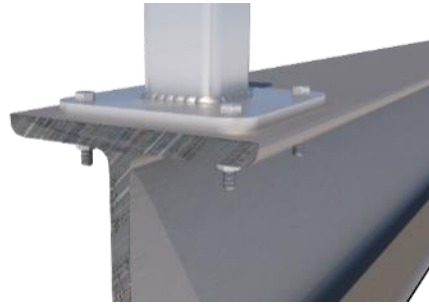
DATA SHEET



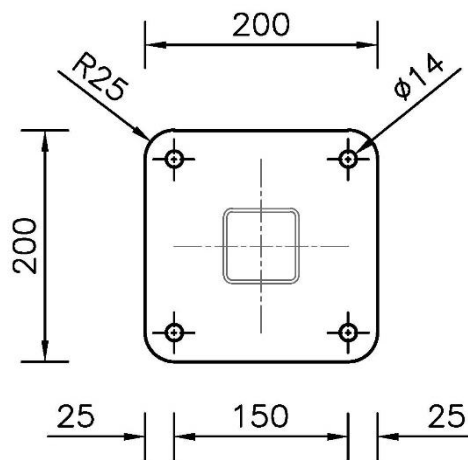
FS 707792

CLASSIC TUFF-POST

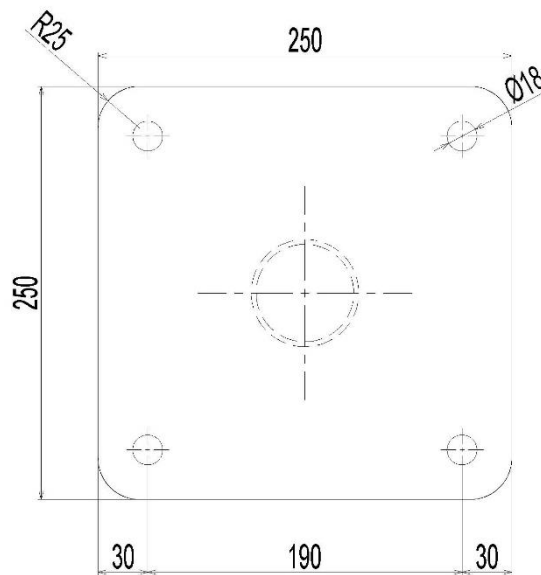
Steel Mounted TUFF-POST with Retro Eyebolt



300mm TUFF POST BASE PLATE



600mm TUFF POST BASE PLATE



© 2018, SafetyLink Pty Ltd, Australia.

Patents: SafetyLink Pty Ltd has a multitude of patents, patents pending, design applications, trademarks and copyrighted documents both lodged and issued. Should you wish to know the progress of our intellectual property on a specific product please email us on ip@safetylink.com and quote the product code.

Doc ID: MKT-412 Version: 14.0

Asia-Pacific/The Americas
info@safetylink.com

Europe/Africa/Middle East
europe.sales@safetylink.com

Northern Europe
uk.sales@safetylink.com