

CLASSIC TUFF-POST

Steel Mounted TUFF-POST (Square) with Collared Eyebolt



- TUFF-POST is designed to raise the height of a height safety system using either a 300mm or 600mm TUFF-POST.
- TUFF-POST is a sealed unit made entirely from stainless steel, designed to be submerged into garden beds, water and other mediums.
- Designed to be **bolted to steel** (concrete anchored version available).

The building or structure for the anchorages must be assessed by an engineer, unless it is clear to a competent height safety installer that the structure is adequate. Refer to system information for site specific use.

COMPLETE UNIT - PRODUCT CODE: TUFF-POST300S-COL

| Product Parts | Description | Qty | Material |
|-------------------|--------------------------------|-----|----------|
| EYEBOLT M16x26mm | Collared Eyebolt: M16x26mm | 1 | 316 SS |
| WASHER M16_SPRING | Spring Washer: M16 | 1 | 316 SS |
| TUFF-POST300 | TUFF-POST 300mm | 1 | 316 SS |
| BOLT-M12x50mm-SS | Bolt: M12x50mm Set Screw (TBC) | 4 | 316 SS |
| WASHER M12 | Washer: M12 | 4 | 316 SS |
| SPRING WASHER M12 | Spring Washer: M12 | 4 | 316 SS |
| NUT M12_316 | Nut: M12 | 4 | 316 SS |



COMPLETE UNIT - PRODUCT CODE: TUFF-POST600S-COL

| Product Parts | Description | Qty | Material |
|-------------------|--------------------------------|-----|----------|
| EYEBOLT M16x26mm | Collared Eyebolt: M16x26mm | 1 | 316 SS |
| WASHER M16_SPRING | Spring Washer: M16 | 1 | 316 SS |
| TUFF-POST600 | TUFF-POST 600mm | 1 | 316 SS |
| BOLT-M16x50mm-SS | Bolt: M16x50mm Set Screw (TBC) | 4 | 316 SS |
| WASHER M16 | Washer: M16 | 4 | 316 SS |
| SPRING WASHER M16 | Spring Washer: M16 | 4 | 316 SS |
| NUT M16_316 | Nut: M16 | 4 | 316 SS |



All products must be installed in accordance with SafetyLink's installation handbook, using only products supplied by SafetyLink Pty Ltd.



© 2018, SafetyLink Pty Ltd, Australia.

Patents: SafetyLink Pty Ltd has a multitude of patents, patents pending, design applications, trademarks and copyrighted documents both lodged and issued. Should you wish to know the progress of our intellectual property on a specific product please email us on ip@safetylink.com and quote the product code.

Doc ID: MKT-411 Version: 13.0

Asia-Pacific/The Americas
info@safetylink.com

Europe/Africa/Middle East
europe.sales@safetylink.com

Northern Europe
uk.sales@safetylink.com



www.safetylink.com



Catalogue



Anchor Layout Video



Safety Centre
Training

DATA SHEET



ISO 9001
Quality
Management
Systems
CERTIFIED

FS 707792



SCAN ME

www.safetylink.com



SCAN ME

Catalogue



SCAN ME

Anchor Layout Video



SCAN ME

Safety Centre Training

DATA SHEET

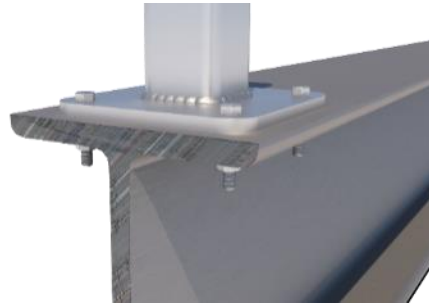


ISO 9001
Quality Management Systems
CERTIFIED

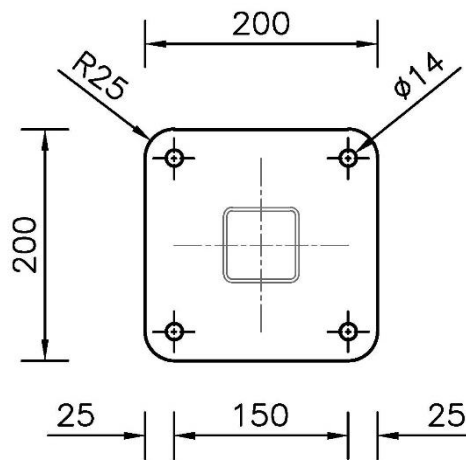
FS 707792

CLASSIC TUFF-POST

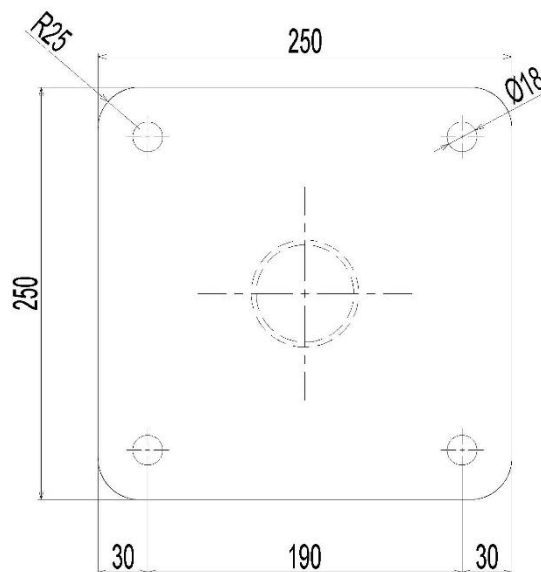
Steel Mounted TUFF-POST with Collared Eyebolt



300mm TUFF POST BASE PLATE



600mm TUFF POST BASE PLATE



© 2018, SafetyLink Pty Ltd, Aust

Patents: SafetyLink Pty Ltd has a multitude of patents, patents pending, design applications, trademarks and copyrighted documents both lodged and issued. Should you wish to know the progress of our intellectual property on a specific product please email us on ip@safetylink.com and quote the product code.

Doc ID: MKT-411 Version: 13.0

Asia-Pacific/The Americas
info@safetylink.com

Europe/Africa/Middle East
europe.sales@safetylink.com

Northern Europe
uk.sales@safetylink.com