



CLASSIC TUFF-POST

Concrete Mounted TUFF-POST (Square) with Retro Eyebolt



- TUFF-POST is designed to raise the height of a height safety system using either a 300mm or 600mm TUFF-POST.
- TUFF-POST is a sealed unit made entirely from stainless steel. Designed to be submerged into garden beds, water and other mediums.
- Designed to be **anchored into concrete** (steel bolted version available).

The building or structure for the anchorages must be assessed by an engineer, unless it is clear to a competent height safety installer that the structure is adequate. Refer to system information for site specific use.



Rated 15kN one person anchor

1. To comply with Australian/European Standards each TUFF-POST unit must be tested after installation.
2. Test consists of ultimate pull out force proof loading to 50% (7.5kN) of design purpose (15kN) of anchorage.
3. Allow sufficient time for curing before testing, see instructions on fastener container.
4. Recommended chemical anchor: Fischer FIS-V as per Fischer Product Supplement Data sheets.

COMPLETE UNIT - PRODUCT CODE: TUFF-POST300C-RET

| Product Parts | Description | Qty | Material |
|---------------|--|-----|----------|
| EYEBOLT-RETRO | Retro Eyebolt | 1 | 316SS |
| WASHER M20 | Washer: M20 Flat Round | 1 | 316SS |
| O-RING | O-Ring Washer | 1 | Rubber |
| RETRO-WASHER | Retro Stainless Steel Washer with Foam | 1 | 316SS |
| TUFF-POST300 | TUFF-POST 300mm | 1 | 316SS |
| CON-M12x160 | Anchor Rod M12x160, Spring Washer, Nut& Washer | 4 | 316SS |

COMPLETE UNIT - PRODUCT CODE: TUFF-POST600C-RET

| Product Parts | Description | Qty | Material |
|---------------|--|-----|----------|
| EYEBOLT-RETRO | Retro Eyebolt | 1 | 316SS |
| WASHER M20 | Washer: M20 Flat Round | 1 | 316SS |
| O-RING | O-Ring Washer | 1 | Rubber |
| RETRO-WASHER | Retro Stainless Steel Washer with Foam | 1 | 316SS |
| TUFF-POST600 | TUFF-POST 600mm | 1 | 316SS |
| CON-M16x160 | Anchor Rod M16x160, Spring Washer, Nut& Washer | 4 | 316SS |

All products must be installed in accordance with SafetyLink's installation handbook, using only products supplied by SafetyLink Pty Ltd.



© 2018, SafetyLink Pty Ltd, Australia.
Patents: SafetyLink Pty Ltd has a multitude of patents, patents pending, design applications, trademarks and copyrighted documents both lodged and issued. Should you wish to know the progress of our intellectual property on a specific product please email us on ip@safetylink.com and quote the product code.

Doc ID: MKT-416 Version: 16.0

Chemical Adhesive Data Sheet



SCAN ME
Catalogue



Safety Centre Training



SCAN ME
Installation Handbook

DATA SHEET



FS 707792



SCAN ME

Chemical Adhesive
Data Sheet



SCAN ME

Catalogue



SCAN ME

Safety Centre
Training



SCAN ME

Installation
Handbook

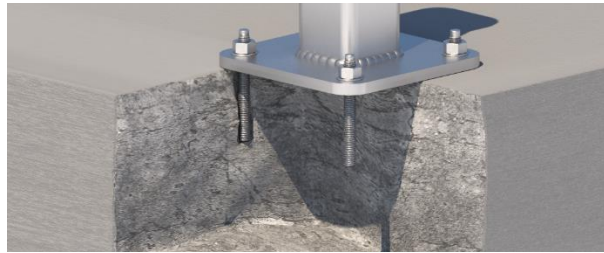
DATA SHEET



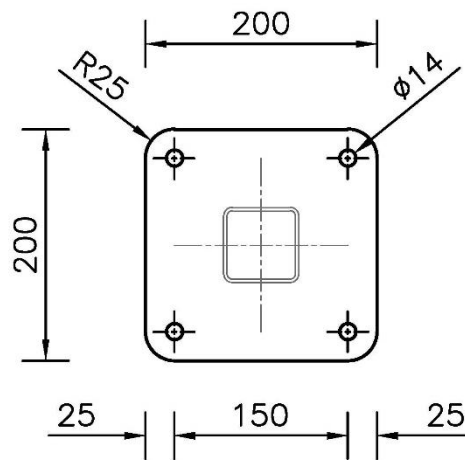
FS 707792

CLASSIC TUFF-POST

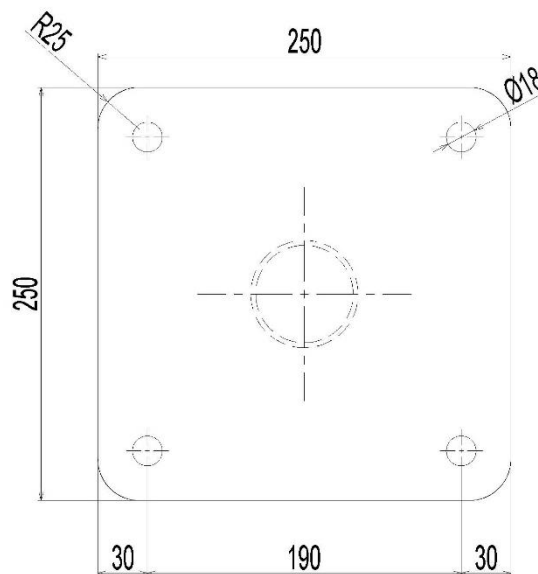
Concrete Mounted TUFF-POST with Retro Eyebolt



300mm TUFF POST BASE PLATE



600mm TUFF POST BASE PLATE



© 2018, SafetyLink Pty Ltd, Australia.

Patents: SafetyLink Pty Ltd has a multitude of patents, patents pending, design applications, trademarks and copyrighted documents both lodged and issued. Should you wish to know the progress of our intellectual property on a specific product please email us on ip@safetylink.com and quote the product code.

Doc ID: MKT-416 Version: 16.0