

CLASSIC TUFF-POST

Concrete Mounted TUFF-POST (Square) with Collared Eyebolt



- TUFF-POST is designed to raise the height of a height safety system using either a 300mm or 600mm TUFF-POST.
- TUFF-POST is a sealed unit made entirely from stainless steel. Designed to be submerged into garden beds, water and other mediums.
- Designed to be **anchored into concrete** (steel bolted version available).

The building or structure for the anchorages must be assessed by an engineer, unless it is clear to a competent height safety installer that the structure is adequate. Refer to system information for site specific use.



Rated 15kN one person anchor

1. To comply with Australian/European Standards each TUFF-POST unit must be tested after installation.
2. Test consists of ultimate pull out force proof loading to 50% (7.5kN) of design purpose (15kN) of anchorage.
3. Allow sufficient time for curing before testing, see instructions on fastener container.
4. Recommended chemical anchor: Fischer FIS-V as per Fischer Product Supplement Data sheets.

COMPLETE UNIT - PRODUCT CODE: TUFF-POST300C-COL		Weight: 7.533kg	
Product Parts	Description	Qty	Material
EYEBOLT M16x26mm	Collared Eyebolt: M16x26mm 316SS	1	316SS
WASHER M16_SPRING	Spring Washer: M16 316SS	1	316SS
TUFF-POST300	TUFF-POST 300mm	1	316SS
CON-M12x160	Anchor Rod M12x160, Spring Washer, Nut& Washer	4	316SS

COMPLETE UNIT - PRODUCT CODE: TUFF-POST600C-COL		Weight: 17kg	
Product Parts	Description	Qty	Material
EYEBOLT M16x26mm	Collared Eyebolt: M16x26mm 316SS	1	316SS
WASHER M16_SPRING	Spring Washer: M16 316SS	1	316SS
TUFF-POST600	TUFF-POST 600mm	1	316SS
CON-M12x160	Anchor Rod M16x160, Spring Washer, Nut& Washer	4	316SS

All products must be installed in accordance with SafetyLink's installation handbook, using only products supplied by SafetyLink Pty Ltd.



© 2018, SafetyLink Pty Ltd, Australia.

Patents: SafetyLink Pty Ltd has a multitude of patents, patents pending, design applications, trademarks and copyrighted documents both lodged and issued. Should you wish to know the progress of our intellectual property on a specific product please email us on ip@safetylink.com and quote the product code.

Doc ID: MKT-404 Version: 17.0



www.safetylink.com



SCAN ME
Catalogue



Anchor Layout Video



Chemical Adhesive
Data Sheet



Safety Centre
Training

DATA SHEET



Asia-Pacific/The Americas
info@safetylink.com

Europe/Africa/Middle East
europe.sales@safetylink.com

Northern Europe
uk.sales@safetylink.com



SCAN ME

www.safetylink.com



SCAN ME

Catalogue



SCAN ME

Anchor Layout Video



SCAN ME

Chemical Adhesive
Data Sheet



SCAN ME

Safety Centre
Training

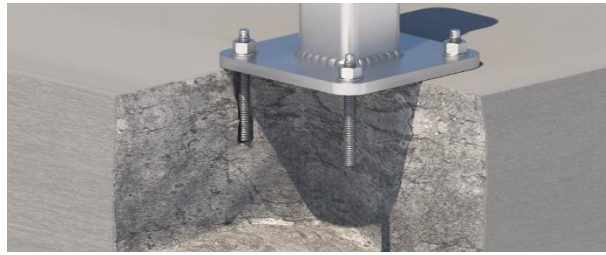
DATA SHEET



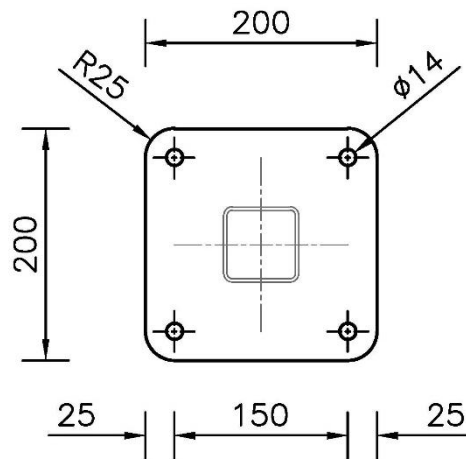
FS 707792

CLASSIC TUFF-POST

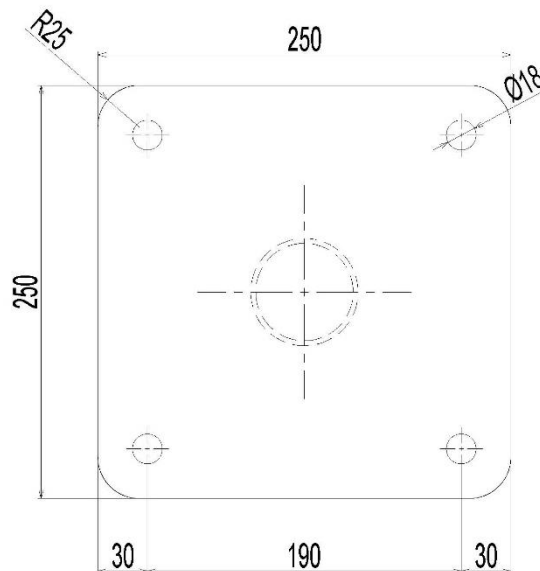
Concrete Mounted TUFF-POST with Collared Eyebolt



300mm TUFF POST BASE PLATE



600mm TUFF POST BASE PLATE



© 2018, SafetyLink Pty Ltd, Australia.

Patents: SafetyLink Pty Ltd has a multitude of patents, patents pending, design applications, trademarks and copyrighted documents both lodged and issued. Should you wish to know the progress of our intellectual property on a specific product please email us on ip@safetylink.com and quote the product code.

Doc ID: MKT-404 Version: 17.0

Asia-Pacific/The Americas
info@safetylink.com

Europe/Africa/Middle East
europe.sales@safetylink.com

Northern Europe
uk.sales@safetylink.com